

MM17 - Universal configurable Maritime Monitor

The Maritime Monitor MM17 satisfies the requirements of high quality graphical user interface for vessels and other maritime applications. As you would expect it is fully certified by DNV and GL. The MM series is available with antireflex glass or with resistive touch screen in the classical 5:4 display size suitable for marine applications. Multi-video-input, DC or AC power supply and front side data inputs allows flexible usage.

The brilliant display with LED backlight is dimmable down to 0 and fulfills the requirements of EN 60945 for bridge use

SONOVE Services

- ✓ **Customer-specific Front Design**
- ✓ **Customized Systems (HW / SW)
incl. GL/DNV certification
(including one off designs)**
- ✓ **Customized Remote control and
specific multi video In functions**

Technical Data MM17

**17" TFT Display in traditional 5:4,
resolution 1280 x 1024, bright-
ness: 300 cd, LED Backlight,
contrast 1000:1
antireflex glass / resistive touch
IP67 Front, IP40 back**

**Video In: VGA, DVI, S-Video,
Composite
Multi video In functions, e.g.
Picture in Picture**

**4 USB, 2 available at the front
Options: 2 x speaker 2W, Buzzer**

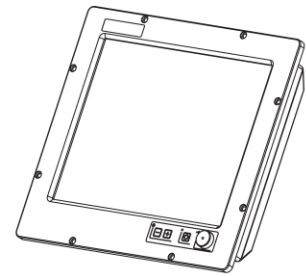
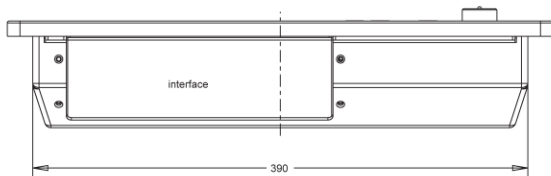
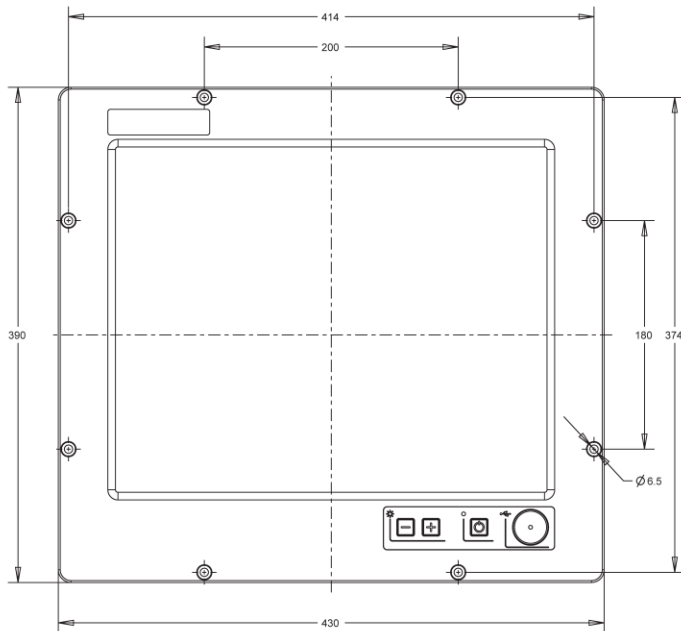
**Power supply DC/AC: 18-32 VDC /
88 – 260 VAC,**

**Operating Temp.: -15°C upto +55°C
Marine certifications: GL, DNV**



SONOVE GmbH
Hindelanger Str. 33
87527 Sonthofen
Germany
Tel: +49 8321 67466 200
Fax +49 8321 67466 199

marine@sonove.com



Komplettmontage 17"

Order information

Marine Monitors 17

MM17 Glass	550.000.0000	Marine Monitor MM17, antireflex glass, without Touch, 17" TFT,
MM17 RT	555.000.0000	Marine Monitor MM17, 17" TFT, Resistive Touch,

Options (must)

Power supply

Power supply 18-32 VDC	500.002.0000	power supply DC 18-32V, 200W
Power supply 90 - 240 VAC	500.001.0000	widerange-power supply AC 88-260 V, 200W

Options

Akustic options

Alarmbuzzer	400.000.0001	alarm buzzer, 85 dB,
Speaker, 2W	400.000.0002	2 speaker, 2W sinus

Sonove GmbH
 Hindelanger Str. 33
 87527 Sonthofen
 Deutschland
 Tel: +49 8321 67466 200
 Fax +49 8321 67466 199

marine@sonove.com
 www.sonove.com