

MPPC17 Celeron (4HF) Marine Panel PC

The Marine Panel PC 17 inch Celeron satisfies the needs of both, the latest and future generation of software for vessels and other marine applications. As you would expect, it is tested according to IACS E10 as well as EN 60945 for bridge use, approved by DNV GL. The MPPC17 Celeron is available with antireflex glass or with resistive touch screen, suitable for marine applications, with a choice of the latest Operating Systems and with DC or (and) AC power supply. Standard options like different memory and I/O Interfaces, can be easily configured for most applications. Individual options and customer specific features ensure that most demanding requirements can be fulfilled.

SONOVE Services

- ✓ **Customer-specific Front Design**
- ✓ **Different OS (e.g. Windows, Linux, etc.)**
- ✓ **Customer-specific Images**
- ✓ **Customized Systems (HW / SW) incl. DNV GL Type Approvals**
- ✓ **Individual Turn Key Solutions (HMI/SCADA, Control, IEC61131, etc.)**

Technical Data MPPC17 Celeron

17" TFT Display in classical 5:4, resolution 1280 x 1024, brightness: 300 cd, LED Backlight contrast 1000:1
antireflex glass / resistive touch
IP67 front, IP40 back

CPU: Intel® Celeron®, 2 x 2.2 GHz
RAM 4/8/16 GB
SSD 64/128/256 GB

2 Ethernet 1 Gbit/s
4 USB, 2 available at the front
4 RS232 / 485 galv. Isolated

Power supply:
24 VDC / 230 VAC

Temp. -15 to +55°C

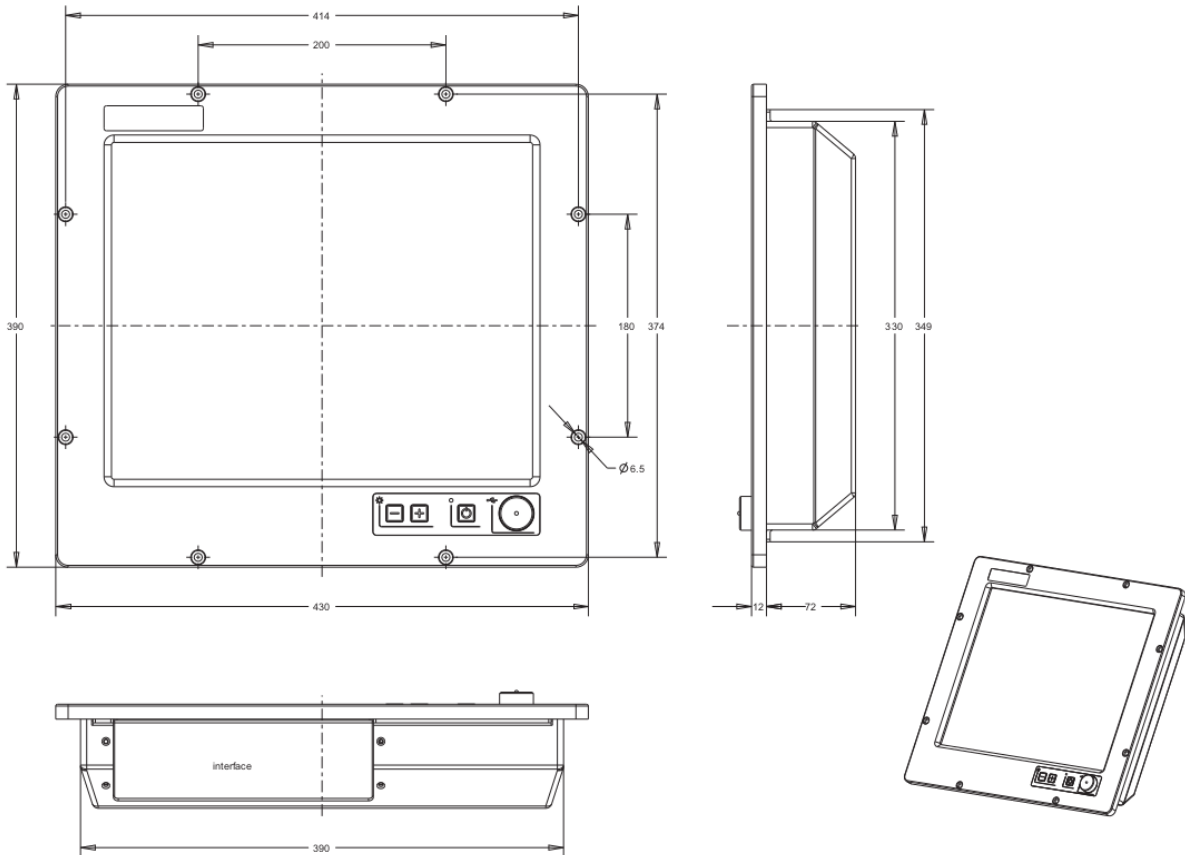
Type Approvals:
DNV GL

Tested acc. to EN 60945



MPPC17 Celeron

drawings and order informations



Order information

Marine Panel PC 17 Celeron

MPPC17 Celeron Glass DC	450.xx2.0001	Marine Panel PC, Intel® Celeron®, 2 x 2.2 GHz, 17" TFT, antireflex glass, Power supply 24VDC
MPPC17 Celeron RT DC	455.xx2.0001	Marine Panel PC, Intel® Celeron®, 2 x 2.2 GHz, 17" TFT, resistive touch, Power supply 24VDC
MPPC17 Celeron Glass AC	450.xx1.0001	Marine Panel PC, Intel® Celeron®, 2 x 2.2 GHz, 17" TFT, antireflex glass, Power supply 230VAC
MPPC17 Celeron RT AC	455.xx1.0001	Marine Panel PC, Intel® Celeron®, 2 x 2.2 GHz, 17" TFT, resistive touch, Power supply 230VAC

Configuration

Flash Memory

SSD 64 GB	Solid State Disc, 64 GB
SSD 128 GB	Solid State Disc, 128 GB
SSD 256 GB	Solid State Disc, 256 GB

Operating System

Microsoft Windows®	Windows® 7 Professional for Embedded Systems Windows® 10 IoT Enterprise Windows® Embedded Standard 2009 (WES)
More ...	Request e.g. other Microsoft, Linux, Customized, etc.

Interface / Extension / Customized

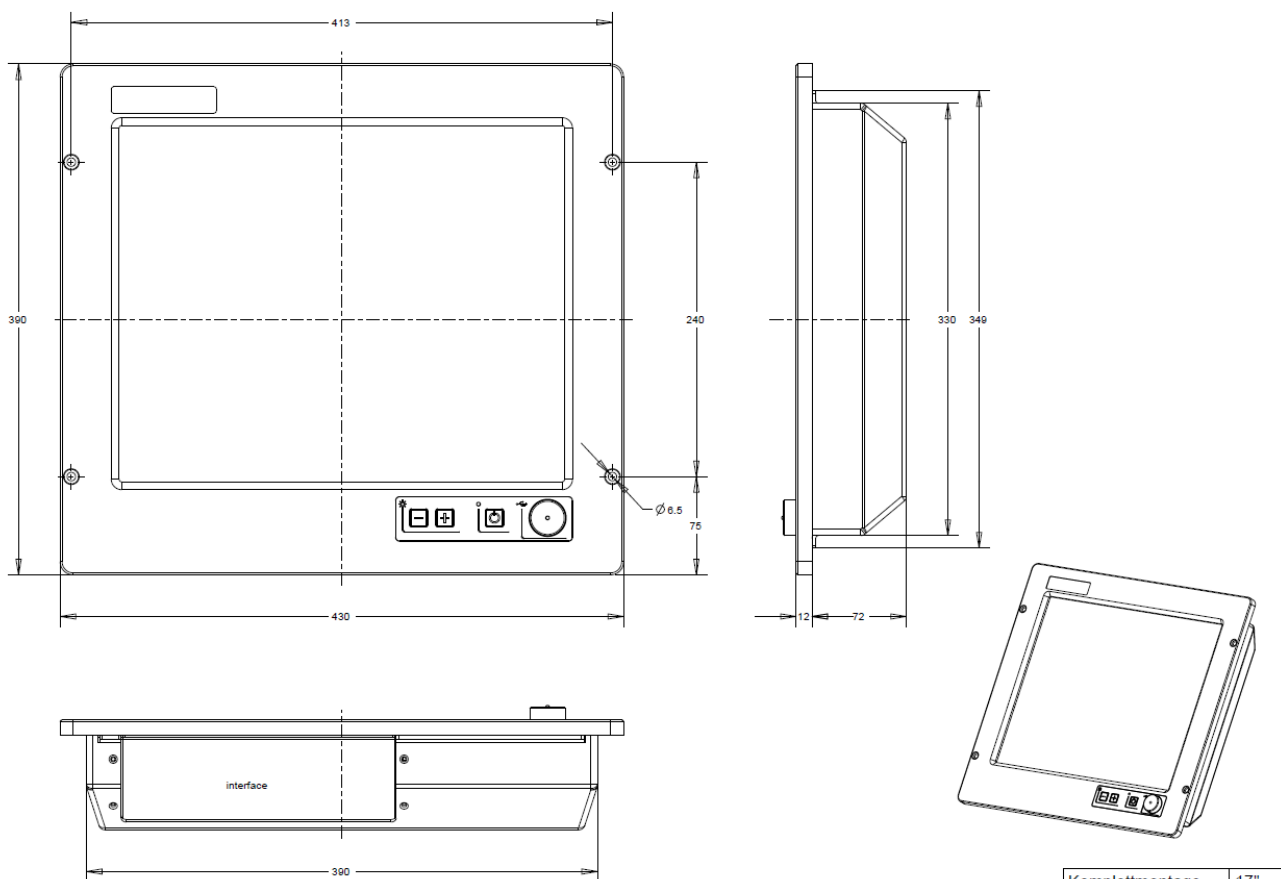
More ...	Call us, we'll design your solution
----------	-------------------------------------

Sonove GmbH
Hindelanger Str. 33
87527 Sonthofen
Deutschland
Tel: +49 8321 67466 200
Fax +49 8321 67466 199

marine@sonove.com
www.sonove.com

MPPC17 Celeron 4HF

drawings and order informations



Order information

Marine Panel PC 17 Celeron 4HF		
MPPC17 Celeron Glass DC 4HF	450.xx2.9yyy	Marine Panel PC, Intel® Celeron®, 2 x 2.2 GHz, 17" TFT, antireflex glass, Power supply 24VDC
MPPC17 Celeron RT DC 4HF	455.xx2.9yyy	Marine Panel PC, Intel® Celeron®, 2 x 2.2 GHz, 17" TFT, resistive touch, Power supply 24VDC
MPPC17 Celeron Glass AC 4HF	450.xx1.9yyy	Marine Panel PC, Intel® Celeron®, 2 x 2.2 GHz, 17" TFT, antireflex glass, Power supply 230VAC
MPPC17 Celeron RT AC 4HF	455.xx1.9yyy	Marine Panel PC, Intel® Celeron®, 2 x 2.2 GHz, 17" TFT, resistive touch, Power supply 230VAC

Configuration

Flash Memory	
SSD 64 GB	Solid State Disc, 64 GB
SSD 128 GB	Solid State Disc, 128 GB
SSD 256 GB	Solid State Disc, 256 GB
Operating System	
Microsoft Windows®	Windows® 7 Professional for Embedded Systems Windows® 10 IoT Enterprise Windows® Embedded Standard 2009 (WES)
More ...	Request e.g. other Microsoft, Linux, Customized, etc.
Interface / Extension / Customized	
More ...	Call us, we'll design your solution

Sonove GmbH
 Hindelanger Str. 33
 87527 Sonthofen
 Deutschland
 Tel: +49 8321 67466 200
 Fax +49 8321 67466 199

marine@sonove.com
 www.sonove.com