

## MPPC23 i7 Maritime Panel PC configurable

The Maritime Panel PC 23 i7 satisfies the needs of both, the latest and future generation of software for vessels and other maritime applications. As you would expect, it is tested according to IACS E10 as well as EN 60945 for bridge use, approved by GL and DNV. The MPPC23 i7 is available with antireflex glass or with resistive touch screen, suitable for marine applications, with a choice of the latest Operating Systems and with DC or (and) AC power supply. Standard options like flash memory, speakers, alarm buzzer, I/O Interfaces and others can be easily configured for most applications. Individual options and customer specific features ensure that most demanding requirements can be fulfilled.

### Sonove Services

- ✓ Customer-specific Front Design
- ✓ Different OS  
(e.g. Windows, Linux, etc.)
- ✓ Customer-specific Images
- ✓ Individual Software Development  
(Embedded, HMI/SCADA, protocols, etc.)
- ✓ Customized Systems (HW / SW)  
incl. GL/DNV certification (including one off designs)
- ✓ Individual Turn Key Solutions  
(HMI/SCADA, Control, IEC61131, etc.)

### Technical Data MPPC23 i7

23" TFT Display widescreen 16:9,  
resolution 1920 x 1080,  
brightness: 300 cd, LED Backlight  
contrast 1000:1  
antireflex glass / resistive touch  
IP67 front, IP40 back

CPU: Intel® Core™ i7, 2 x 1,7- 2,8 GHz  
RAM 2/4/8/16 GB  
SSD 64/128/256 GB

2 Ethernet 1 Gbit/s  
4 USB, 2 available at the front  
4 RS232 / 485 galv. Isolated

#### Options:

- Alarm Buzzer, 2 x speaker 2W
- Ext. Slots: CAN, Mini PCIe, PC104+

Power supply:  
18-32 VDC / 88-264 VAC / redundancy

Temp. -15 to +55°C

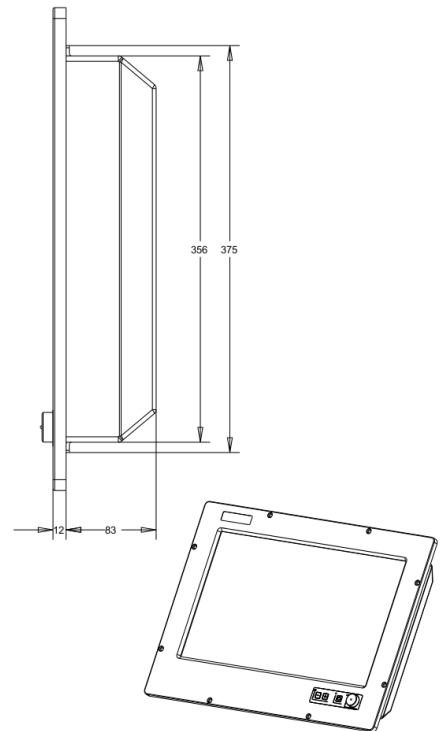
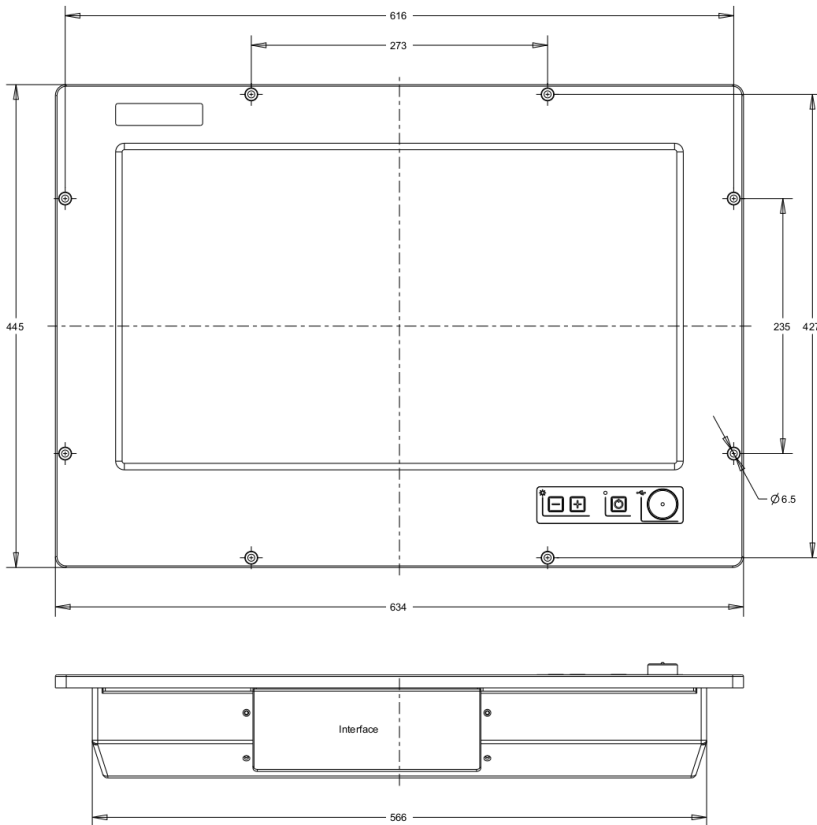
Type Approvals:  
GL, DNV  
EN 60945

Sonove GmbH  
Hindelanger Str. 33  
87527 Sonthofen  
Deutschland

Tel. +49 8321 67466 200  
Fax +49 8321 67466 199  
marine@sonove.com



# MPPC23 i7 Maritime Panel PC drawings and order informations



## Order information

### Marine Panel PC 23 i7

MPPC23 i7 Glass	480.000.0000	Marine Panel PC, Intel® Core™ i7, 2 x 1,7- 2,8 GHz, 23" TFT, <b>antireflex glass</b>
MPPC23 i7 RT	485.000.0000	Marine Panel PC, Intel® Core™ i7, 2 x 1,7- 2,8 GHz, 23" TFT, <b>resistive touch</b>

## Configuration

### Power Supply

Power supply 18-36 VDC	400.002.0000	18-36 VDC, 100W
Power supply 88 - 264 VAC	400.001.0000	88-138 VAC / 176-264 VAC, 150W

### Flash Memory

SSD 64 GB	400.010.0000	Solid State Disc, 64 GB
SSD 128 GB	400.020.0000	Solid State Disc, 128 GB
SSD 256 GB	400.030.0000	Solid State Disc, 256 GB

### Operating System

Microsoft Windows® desktop	Windows® 7 Ultimate 32/64 Bit, Professional 32/64 Bit Windows® XP Pro Embedded SP 3, Windows® 10 (soon)
Microsoft Windows® embedded	Windows® 7 emb., Windows® XP emb., Windows® 10 (soon)
More ...	Request e.g. other Microsoft, Linux, Customized, etc.

## Optional

### Acoustics

Alarmbuzzer	400.000.0001	alarm buzzer, 85 dB
Speaker, 2W	400.000.0002	2 x 2W RMS

### Interface / Extension / Customized

More ...	Call us, we'll design your solution
----------	-------------------------------------

Sonove GmbH  
Hindelanger Str. 33  
87527 Sonthofen  
Deutschland

Tel. +49 8321 67466 200  
Fax +49 8321 67466 199  
marine@sonove.com

www.SONOVE.com